

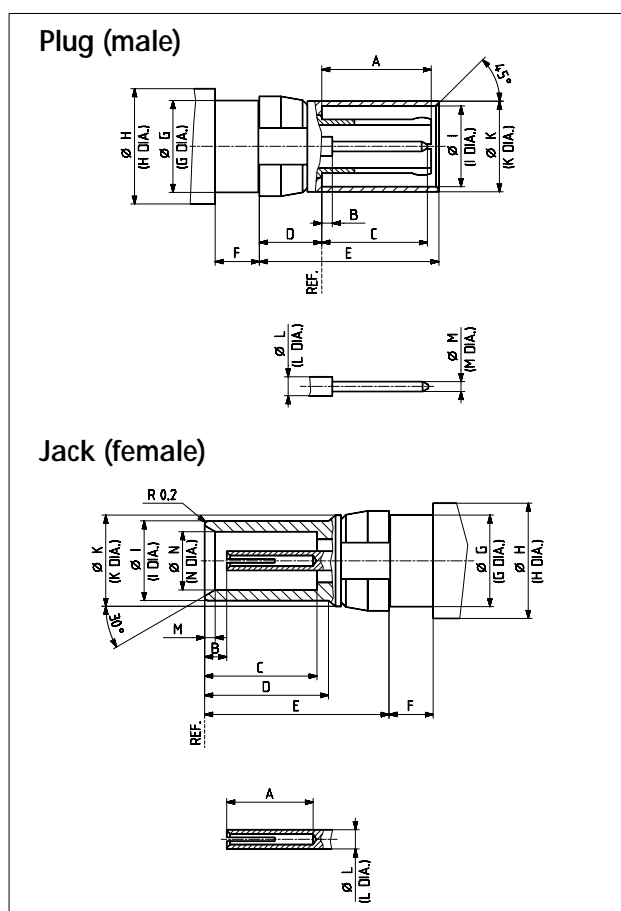


# SERIES 1.0/2.3 INSERTS ACCORDING TO DIN 41626/2

## Description

SUHNER Coaxial "Inserts" 1.0/2.3 according to DIN 41626/2 for the insertion of mixed layout connectors DIN 41612 (pattern M). The 1.0/2.3 inserts feature a slide-on coupling mechanism, which ensures a short connect-disconnect time. Impedance accuracy, fast and easy assembly as well as high reproducibility due to the full crimp cable entry are typical characteristics of these SUHNER-connectors. The 1.0/2.3 inserts are suitable for applications up to 4 GHz.

## Interface Dimensions



## Interface Dimensions in mm / inches

	Plug		Jack	
	min.	max.	min.	max.
A	5.40/.213	5.70/.224	4.50/.177	...
B	...	1.15/.045	1.15/.045	1.45/.057
C	5.20/.205	5.50/.217	5.80/.228	5.90/.232
D	3.05/.120	3.20/.126	6.40/.252	6.50/.256
E	9.25/.364	9.35/.368	9.50/.374	9.60/.378
F	2.22/.087	2.40/.094	2.22/.087	2.40/.094
G	4.76/.187	4.79/.189	4.76/.187	4.79/.189
H	...	6.00/.236	...	6.00/.236
I	4.20/.165	4.28/.169	4.03/.159	4.15/.163
K	4.66/.183	4.78/.188	4.72/.186	4.75/.187
L	1.00/.039 nom.		1.00/.039 nom.	
M	0.48/.019	0.52/.020	0.50/.020	0.60/.024
N	...	...	3.00/.118	3.06/.120

Interface dimensions conformable to the Standards:

Germany: DIN 41626/2

## Technical Data

ELECTRICAL DATA	REQUIREMENTS
Impedance	50 $\Omega$
Frequency range	DC ... 4 GHz
Dielectric withstanding voltage (at sea level)	750 V rms, 50 Hz (depending on cable)
Working voltage (at sea level)	250 V rms, 50 Hz (depending on cables)
Insulation resistance	$\geq 200 \text{ M}\Omega$
Contact resistance	
- centre contact	$\leq 10 \text{ m}\Omega$
- outer contact	$\leq 3 \text{ m}\Omega$

MECHANICAL DATA	REQUIREMENTS
Engagement force	$\leq 10 \text{ N} / 2.3 \text{ lbs}$
Disengagement force	$\leq 10 \text{ N} / 2.3 \text{ lbs}$
Contact captivation	$\geq 10 \text{ N}$
Durability (matings)	$\geq 500$

ENVIRONMENTAL DATA	EQUIVALENT MIL TEST CONDITIONS
Temperature range	$-55^{\circ}\text{C} \dots +125^{\circ}\text{C} / -67^{\circ}\text{F} \dots +257^{\circ}\text{F}$
Climatic category	IEC $\rightarrow$ 55 / 125 / 56
Moisture resistance	MIL-STD-202, Method 106
Corrosion	Salt spray test acc. to MIL-STD-202, Method 101, Condition B
Vibration	MIL-STD-202, Method 204, Condition A

MATERIAL DATA		
CONNECTOR PART	MATERIAL	PLATING
Bodies	brass	gold or SUCOPLATE <sup>®</sup>
Outer contacts	beryllium-copper/brass	gold
Contact pins	brass	gold
Socket contact	beryllium-copper	gold
Insulators	PTFE or PFA	
Crimp ferrules	copper	gold or nickel

Some connectors may have a specification that differs from the above mentioned data.

**Typical application:**

