



# SUHNER® DATALINE PROTECTOR

## TYPE: 3411.70.0001

Item: 23 023 492

### Description

Dataline lightning protector.  
Permanently installed surge arrester capsule.



### Product Configuration

Configuration Detail	Specification
Main path connectors (Unprotected - protected side)	1.6/5.6 (male) - 1.6/5.6 (female)
Mounting and grounding	MH33

### Main technical Data

#### Electrical Data Requirements

RF:

Impedance	75 $\Omega$
Frequency range	DC - 240 MHz
Return loss	$\geq 20$ dB
Insertion loss	$\leq 0.2$ dB
RF power transmission	$\leq 60$ Watts

Protection:

Static sparkover voltage	150 - 250 V
Surge current handling capability	10 kA once and 5 kA multiple (test pulse 8/20 $\mu$ s)
Residual pulse energy	$\leq 0.45$ mJ (test pulse 4 kV 1.2/50 $\mu$ s/2kA 8/20 $\mu$ s acc. to IEC 61000-4-5)

#### Environmental Data Requirements/Test Conditions

Waterproof degree	IP 20 according to IEC 60529, data refer to the coupled state
Operation temperature range	-40 $^{\circ}$ C to +85 $^{\circ}$ C

# SUHNER® LIGHTNING PROTECTOR

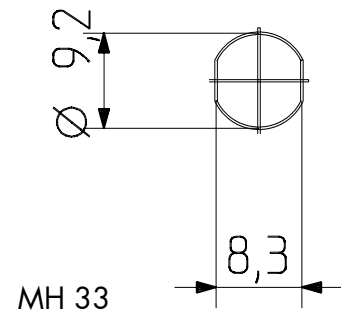
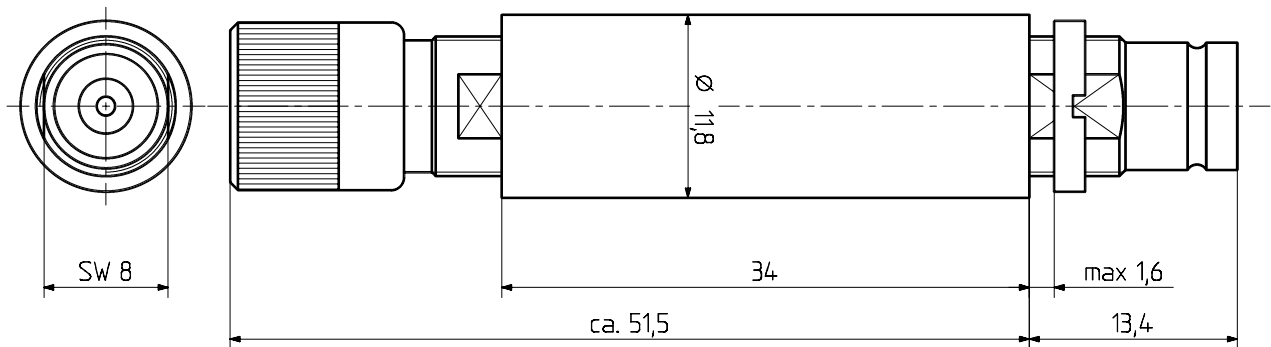
## TYPE: 3411.70.0001

Item: 23 023 492

Material Data	Standard	Material	Plating
Housings	QQ-B-626	Brass	Gold
Male contacts	QQ-B-626	Brass	Gold
Female contacts	QQ-C-530	CuBe2	Gold
Insulators	ASTM-D-1457	PTFE	

### Related Documents

Outline Drawing	23 023 493
Mounting/Grounding instruction	23 008 058



#### WAIVER!

While the information contained in this folder has been carefully compiled to the best of our present knowledge, it is not intended as representation or warranty of any kind on our part regarding the suitability of the products concerned for any particular use or purpose and neither shall any statement contained herein be construed as a recommendation to infringe any industrial property rights or as a license to use any such rights. The suitability of each product for any particular purpose must be checked beforehand with our specialists.



HUBER+SUHNER AG  
Microwave Division  
CH-9100 Herisau, Switzerland  
Tel.: +41 (0)71 353 41 11  
Fax: +41 (0)71 353 47 51  
e-mail: sales.fk@hubersuhner.com  
www.hubersuhner.com

Document No.: 01.02.0741

Issue No.: --

Supersedes: --

*Uncontrolled copy*

Issued/Checked/Released:

Last amended:

07.2001/4660PRM/st

--

2/2