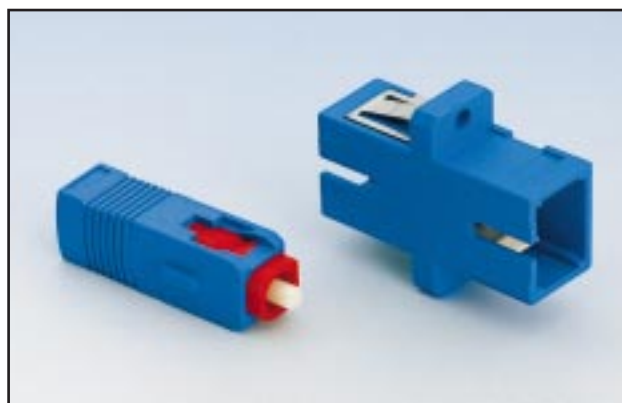




# SUHNER FIBEROPTIC FSC-CMAX CONNECTOR

## Features

- Halogen-free (UL 94-V0 materials)
- One-piece design
- Spring loaded
- Full ceramic ferrule
- Special ferrule preform for short polishing time
- Suitable for humid environments
- Adjustable in 60° steps



## Applications

- LAN, MAN
- Telecom
- CATV, sensor systems

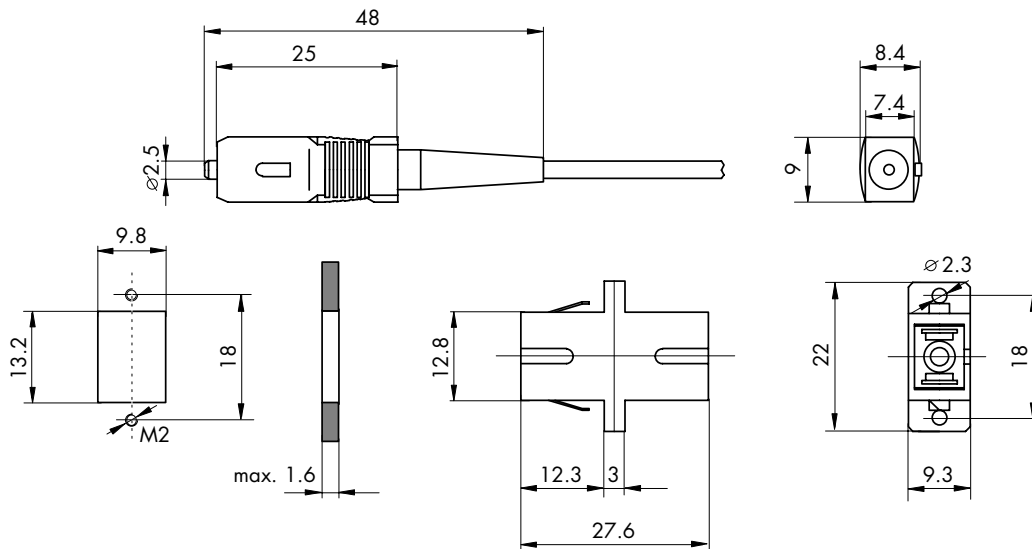
## Specifications

		Singlemode		Singlemode APC 8°/9°		Multimode
		Typ.	Max.	Typ.	Max.	Typ.
Insertion loss IL [dB]		0.12	< 0.4 <sup>1</sup>	0.12	< 0.4 <sup>1</sup>	0.4 <sup>2</sup>
Conditioned by type of connector (see rear)		0.09	< 0.3 <sup>1</sup>	0.09	< 0.3 <sup>1</sup>	
Return loss [dB]	PC	> 49	> 45		> 85	
	UPC	> 52	> 50			

<sup>1</sup> each-to-each  
IEC 61300-3-34 method 2

<sup>2</sup> IEC 874-1 method 6

Strain relief	100N
Operating temperature	-40 °C bis +85 °C, conditioned by type of cable
Durability	min. 1000 cycles
Assembly procedure	glue and polish
Connection	physical contact
Lock mechanism	push-pull
Standards	IEC 874.14 Bellcore GR 326
Ferrule material	full ceramic zirconia
Connector material	UL 94-V0
Adapter material	UL 94-V0, slotted ceramic sleeve



### Ordering table connector

**IL max.\***

FSC-CMAX-A001	Singlemode	FSC-CMAX connector blue	0.4dB
FSC-CMAX-H001	Singlemode	FSC-CMAX connector blue	0.3dB
FSC-CMAX-A600	Singlemode APC 8°	FSC-CMAX connector green	0.4dB
FSC-CMAX-H600	Singlemode APC 8°	FSC-CMAX connector green	0.3dB
FSC-CMAX-A603	Singlemode APC 9°	FSC-CMAX connector green	0.4dB
FSC-CMAX-H603	Singlemode APC 9°	FSC-CMAX connector green	0.3dB
FSC-CMAX-B001	Multimode	FSC-CMAX connector beige	
FSC-CMAX-B001-02	Multimode	FSC Duplex connector, beige	

\*conditioned by type of the termination process

### Adapter

FSC-FSC-D100	Singlemode adapter with 2-hole flange and zirconia ceramic sleeve, blue
FSC-FSC-D200	Multimode adapter with 2-hole flange and phosphore-bronze sleeve, beige
FSC-FSC-D600	Singlemode adapter with 2-hole flange and zirconia ceramic sleeve, green
FSC-FSC-D200-02	Multimode adapter with 2-hole flange and phosphore-bronze sleeve, Duplex

### Hybrid adapter

FSC-FCPC-D101	Hybrid adapter with slotted zirconia ceramic sleeve
FSC-FST-D100	Hybrid adapter with slotted zirconia ceramic sleeve
FSC-FLSA-D100	Hybrid adapter with slotted zirconia ceramic sleeve
FLSH-FSC-D101	Hybrid adapter with slotted zirconia ceramic sleeve, singlemode, blue
FLSH-FSC-D601	Hybrid adapter with slotted zirconia ceramic sleeve, APC, green
FSC-FST-D200-02	Hybrid adapter with slotted zirconia ceramic sleeve, Duplex

### Crimpset black

### Crimpset green (APC)

009-BK-A001	009-GN-A001	for cable Ø <1.0mm
021-BK-D001	021-GN-D001	for cable Ø 2.0 – 2.2mm
024-BK-D001	024-GN-D001	for cable Ø 2.3 – 2.6mm
028-BK-D001	028-GN-D001	for cable Ø 2.7 – 2.9mm
030-BK-D001	030-GN-D001	for cable Ø 3.0 – 3.3mm
035-BK-D001	035-GN-D001	for cable Ø 3.4 – 3.6mm

#### Waiver!

While the information contained has been carefully compiled to the best of our present knowledge, it is not intended as representation or warranty of any kind on our part regarding the fitness of the products concerned for any particular use or purpose and neither shall any statement contained herein be construed as a recommendation to infringe any industrial property rights or as a license to use an such rights. The fitness of each product for any particular purpose must be checked beforehand with our specialists.



HUBER+SUHNER AG  
 Fiberoptic Division  
 CH-9100 Herisau  
 Phone +41 (0)71 353 41 11  
 Fax +41 (0)71 353 46 47  
 www.hubersuhner.com