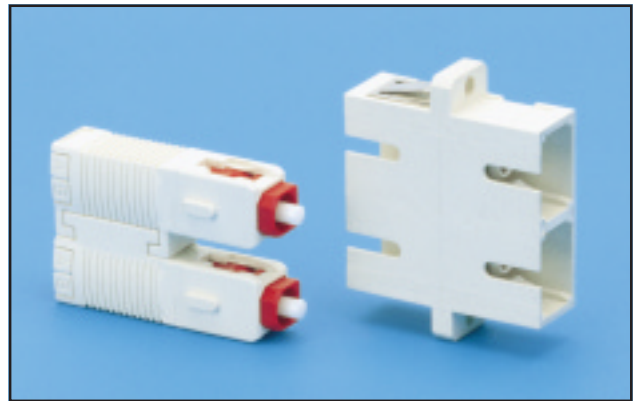




# SUHNER FIBEROPTIC FSC-CMAX DUPLEX CONNECTOR

## Features

- Nondestructive design for connectability and disconnectability
- One-piece design
- Spring loaded zirconia ceramic ferrule
- Special ferrule preform for short polishing time
- Channel markings A and B with separable links



## Applications

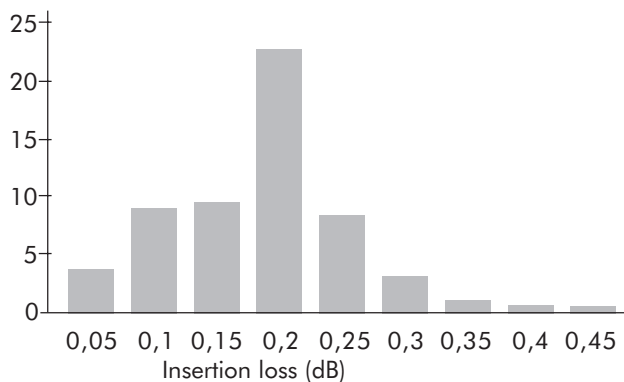
- LAN, MAN
- Telecom
- CATV, sensor systems

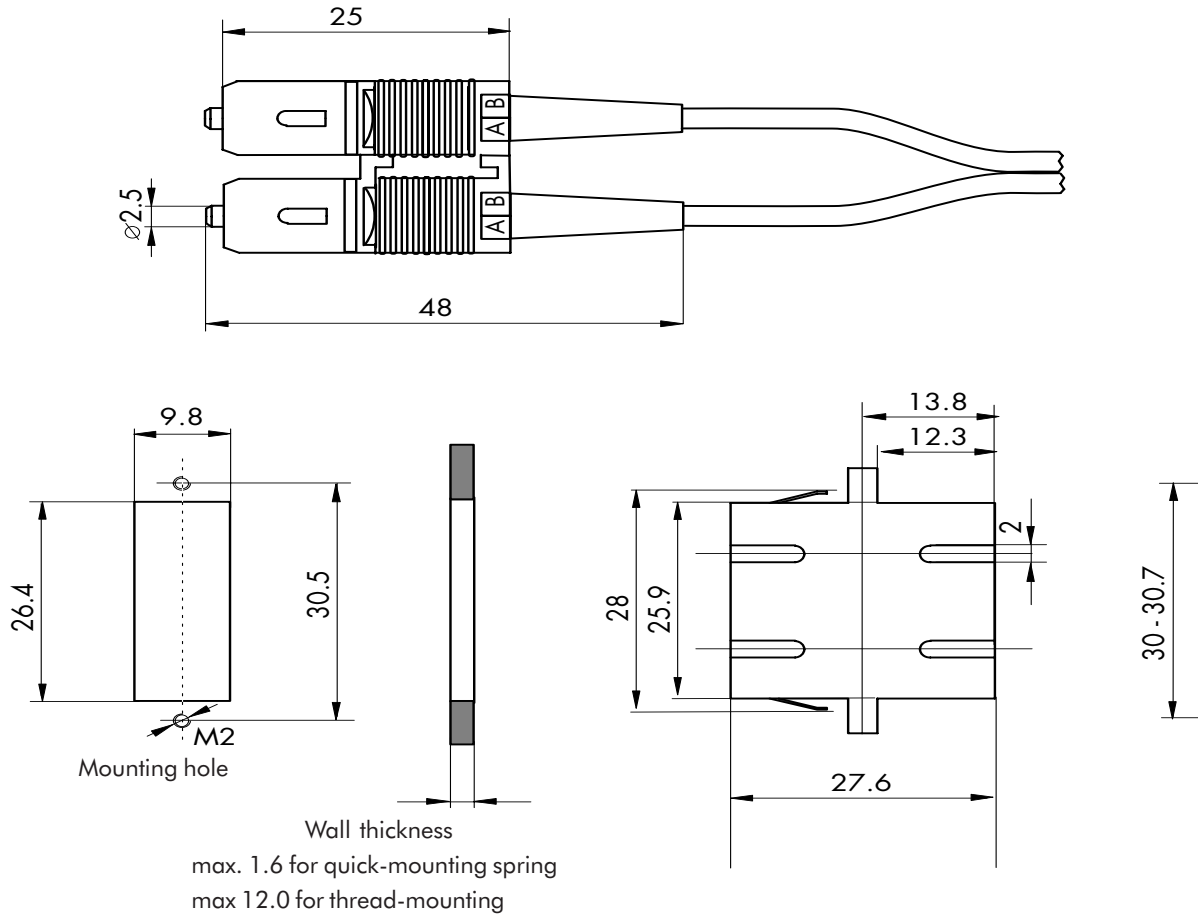
## Specifications

Fibre type	G50, 62.5/125µm
Insertion loss multimode	50% < 0.4dB; 98% < 0.8dB
Strain relief	crimped, 100N (conditioned by type of cable)
Operating temperature	-25° to +70°C (conditioned by type of cable)
Durability	min. 500 cycles
Assembly procedure	glue and polish
Connection	physical contact of ferrules
Lock mechanism	snap-on
Standard	according to IEC 874-14

## Insertion loss multimode

Number of measurements





## Ordering table

<b>Connector</b>	
FSC-CMAX-B001-02	FSC-CMAX DUPLEX connector, multimode
<b>Adapter</b>	
FSC-FSC-D200-02	FSC-CMAX DUPLEX adapter with 2-hole flange and phosphor-bronze sleeve
<b>Crimpset black</b>	
009-BK-D001	for cable-Ø < 1.0mm
021-BK-D001	for cable-Ø 2.0 - 2.2mm
024-BK-D001	for cable-Ø 2.3 - 2.6mm
028-BK-D001	for cable-Ø 2.7 - 2.9mm
030-BK-D001	for cable-Ø 3.0 - 3.3mm
035-BK-D001	for cable-Ø 3.4 - 3.6mm

### Waiver

While the information contained has been carefully compiled to the best of our present knowledge, it is not intended as representation or warranty of any kind on our part regarding the fitness of the products concerned for any particular use or purpose and neither shall any statement contained herein be construed as a recommendation to infringe any industrial property rights or as a license to use any such rights. The fitness of each product for any particular purpose must be checked beforehand with our specialists.



HUBER+SUHNER AG  
Fiberoptic Division  
9100 Herisau, Switzerland  
Phone +41 (0)71 353 41 11  
Fax +41 (0)71 353 46 47  
www.hubersuhner.com