



# SUHNER FIBEROPTIC FST-SECURITY CONNECTOR

## Features

- Fully strain relieved which guarantees connection even with strain on both ends
- Spring loaded zirconia ceramic ferrule
- Special ferrule preform for short polishing time



## Applications

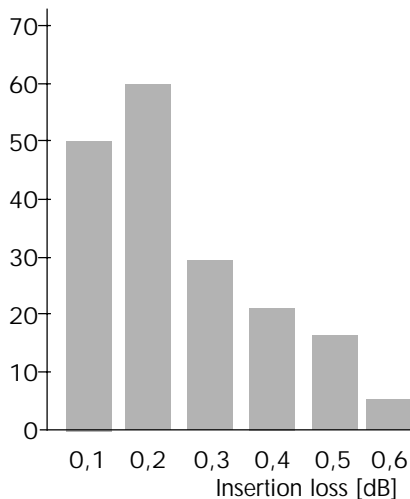
- LAN
- MAN, CATV, sensor systems

## Specifications

Insertion loss singlemode, E9/125, acc. to ECO class	50% < 0.23dB; 98% < 0.5dB
Return loss singlemode	50% > 49dB; 98% > 47dB
Insertion loss multimode, G50, G62.5/125	50% < 0.2dB; 98% < 0.5dB
Insertion loss multimode, G100/140	50% < 0.8dB; 98% < 1.2dB
Strain relief	crimped, 100N (conditioned by type of cable)
Operating temperature	-40° to +85°C (conditioned by type of cable)
Durability	min. 500 cycles
Assembly procedure	glue and polish
Connection	physical contact of ferrules
Lock mechanism	bayonet catch
Standard	according to IEC 874-10

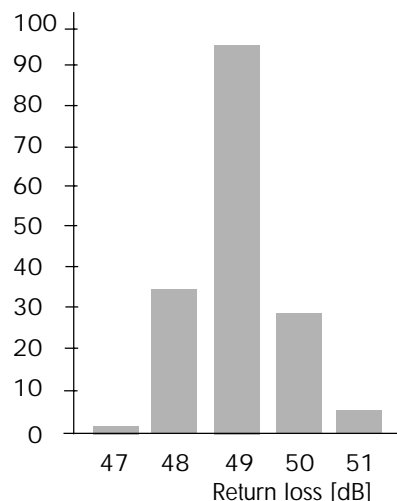
## Insertion loss singlemode

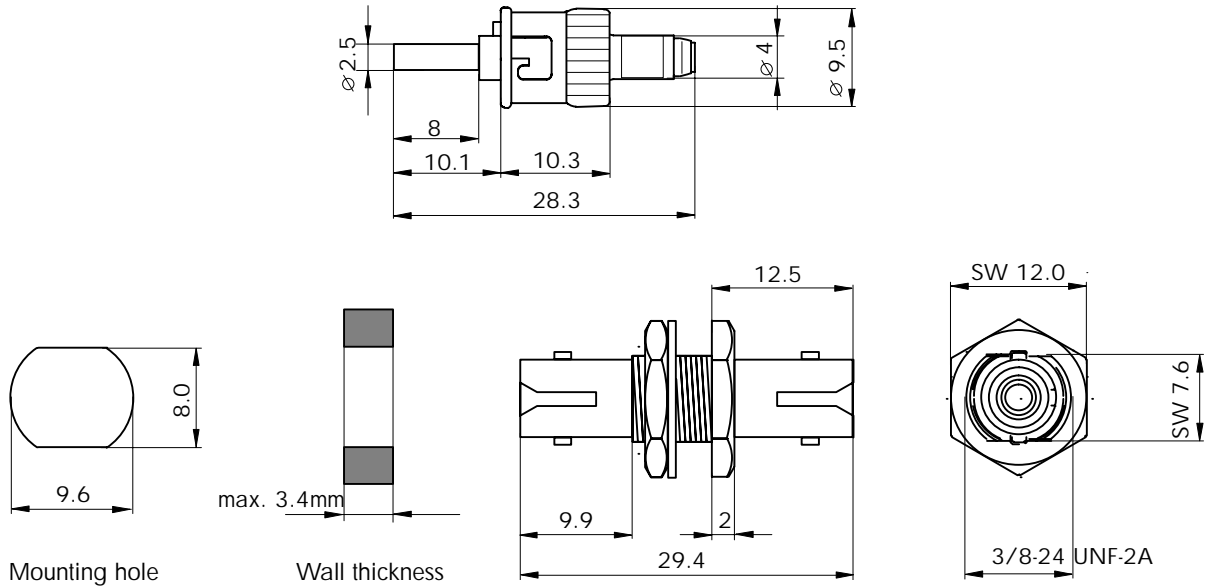
Number of measurements



## Return loss singlemode

Number of measurements





## Ordering table

<b>Connector</b>	
FST-SEC-A001	FST-SECURITY connector, singlemode, zirconia ferrule
FST-SEC-B001	FST-SECURITY connector, multimode, zirconia ferrule
FST-SEC-C001	FST-SECURITY connector, multimode, metal ferrule
<b>Adapter</b>	
FST-FST-C100	FST-HQ adapter with 1 loose, 1 fixed nut and 1 washer for D-hole mounting
<b>Crimpset black</b>	
009-BK-B001	for cable-Ø < 1.0mm
021-BK-B001	for cable-Ø 2.0 - 2.3mm
028-BK-B001	for cable-Ø 2.6 - 2.9mm
035-BK-B001	for cable-Ø 3.0 - 3.6mm

### Waiver

While the information contained has been carefully compiled to the best of our present knowledge, it is not intended as representation or warranty of any kind on our part regarding the fitness of the products concerned for any particular use or purpose and neither shall any statement contained herein be construed as a recommendation to infringe any industrial property rights or as a license to use any such rights. The fitness of each product for any particular purpose must be checked beforehand with our specialists.



HUBER+SUHNER AG  
 Fiberoptic Division  
 9100 Herisau, Switzerland  
 Phone +41 (0)71 353 41 11  
 Fax +41 (0)71 353 46 47  
 www.hubersuhner.com