



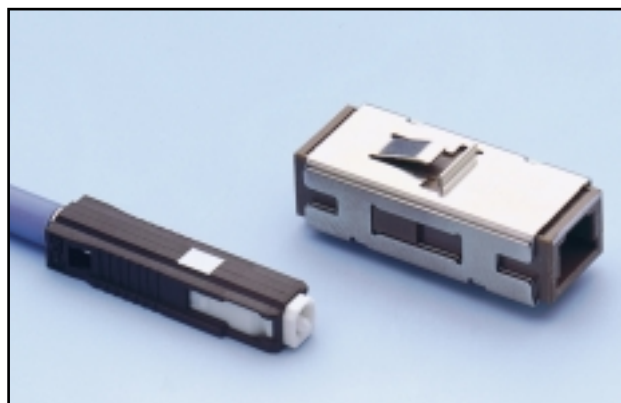
# SUHNER FIBEROPTIC MU CONNECTOR

## Features

- Full-ceramic ferrule
- Excellent handling at high packing densities
- Special ferrule preform for short polishing time
- Adjustable

## Applications

- Telecom
- MAN
- CATV, sensor systems, measuring technique

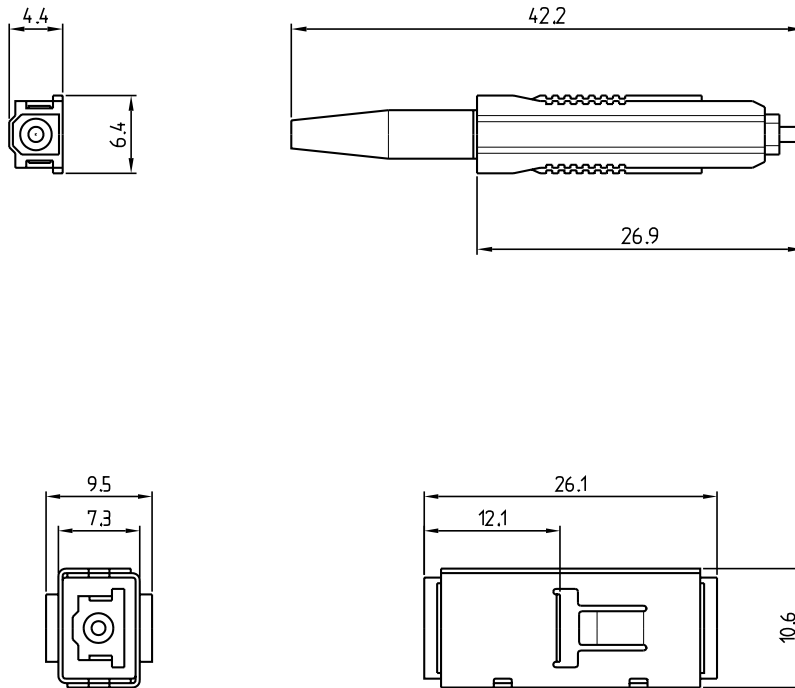


## Specifications

		Singlemode	
		Typ.	Max.
Insertion loss IL [dB]	conditioned by type of connector (see rear)	0.12	< 0.4 <sup>1</sup>
Return loss [dB]		UPC	> 52

<sup>1</sup> each-to-each  
IEC 61300-3-34 method 2

Operating temperature	-40°C bis +85°C, conditioned by type of cable
Durability	min. 1000 cycles
Assembly procedure	glue and polish
Connection	physical contact
Lock mechanism	snap-on
Ferrule material	full ceramic zirconia
Connector material	UL 94-V0
Adapter material	UL 94-V0, slotted ceramic sleeve



### Ordering table connectors

FMU-Z/K-A001 (adjusted)	MU connector singlemode PC, simplex 0.9 mm
FMU-Z/K-A002 (adjusted)	MU connector singlemode PC, simplex 1.7 mm

### Adapter

FMU-FMU-A001-01	MU adapter, singlemode
-----------------	------------------------

**Waiver!**  
 While the information contained has been carefully compiled to the best of our present knowledge, it is not intended as representation or warranty of any kind on our part regarding the fitness of the products concerned for any particular use or purpose and neither shall any statement contained herein be construed as a recommendation to infringe any industrial property rights or as a license to use any such rights. The fitness of each product for any particular purpose must be checked beforehand with our specialists.



**HUBER+SUHNER**  
 HUBER+SUHNER AG  
 Fiberoptic Division  
 CH-9100 Herisau  
 Phone +41 (0)71 353 41 11  
 Fax +41 (0)71 353 46 47  
 www.hubersuhner.com