



# SUHNER FIBEROPTIC FCPC CONNECTOR

## Features

- Infinitely adjustable
- Spring-loaded
- Full ceramic ferrule
- Special ferrule preform for short polishing time

## Applications

- Telecom
- Measuring techniques
- Utilities, railways



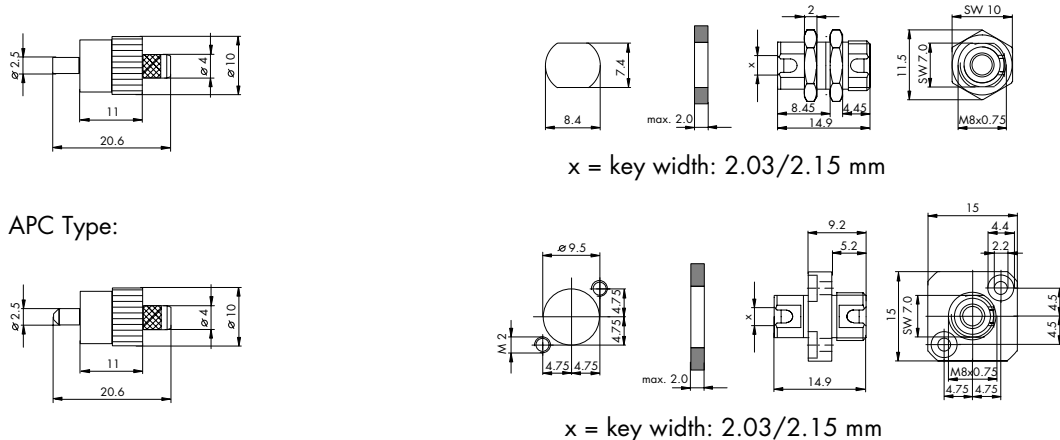
## Specifications

		Singlemode		Singlemode APC 8°		Multimode
		Typ.	Max.	Typ.	Max.	Typ.
Insertion loss IL [dB] Conditioned by type of connector (see below)		0.12	< 0.4 <sup>1</sup>	0.12	< 0.4 <sup>1</sup>	0.4 <sup>2</sup>
		0.09	< 0.3 <sup>1</sup>	0.09	< 0.3 <sup>1</sup>	
Return loss [dB]	PC	> 49	> 45		> 85	
	UPC	> 52	> 50			

<sup>1</sup> each-to-each  
IEC 61300-3-34 method 2

<sup>2</sup> IEC 874-1 method 6

Strain relief	100N
Operating temperature	-40 °C bis +85 °C, conditioned by type of cable
Durability	min. 1000 cycles
Assembly procedure	glue and polish
Connection	physical contact
Lock mechanism	screw thread
Standards	IEC 1754-10-3 (wide key for PC + APC) IEC 1754-10-1/2 (small key for APC)
Ferrule material	full ceramic zirconia
Connector material	nickel-plated brass
Adapter material	nickel-plated brass



## Ordering table connectors

**IL max.\***

FCPC-Z/M-A001	Singlemode	FCPC connector, key width: 2.13 mm	0.4 dB
FCPC-Z/M-H001	Singlemode	FCPC connector, key width: 2.13 mm	0.3 dB
FCPC-Z/M-A601	Singlemode APC 8°	FCPC connector, key width small: 2.02 mm	0.4 dB
FCPC-Z/M-H601	Singlemode APC 8°	FCPC connector, key width small: 2.02 mm	0.3 dB
FCPC-Z/M-A602	Singlemode APC 8°	FCPC connector, key width wide: 2.13 mm	0.4 dB
FCPC-Z/M-H602	Singlemode APC 8°	FCPC connector, key width wide: 2.13 mm	0.3 dB
FCPC-Z/M-B001	Multimode	FCPC connector, key width: 2.13 mm	

\*conditioned by type of termination process

## Adapter

FCPC-FCPC-C100	Singlemode adapter with 1 loose, 1 fixed nut for D-hole mounting, key width wide: 2.15 mm
FCPC-FCPC-C600	Singlemode adapter APC with 1 loose, 1 fixed nut for D-hole mounting, key width small: 2.03 mm
FCPC-FCPC-D600	Singlemode adapter APC with 2-hole flange, 4 mm thick, key width small: 2.03 mm
FCPC-FCPC-D100	Multimode adapter with 2-hole flange, 4 mm thick, key width wide: 2.15 mm

## Hybrid adapter

FCPC-FLSA-E100	Hybrid adapter with slotted zirconia ceramic sleeve, PC and APC
FSC-FCPC-D101	Hybrid adapter with slotted zirconia ceramic sleeve, PC and APC
FST-FCPC-B100	Hybrid adapter with slotted zirconia ceramic sleeve, PC and APC
FLSH-FCPC-D101	Hybrid adapter with slotted zirconia ceramic sleeve, singlemode, blue
FLSH-FCPC-D601	Hybrid adapter with slotted zirconia ceramic sleeve, APC, green

## Crimpsset black      Crimpsset green (APC) 8°

009-BK-A001	009-GN-A001	for cable Ø <1.0mm
021-BK-D001	021-GN-D001	for cable Ø 2.0 – 2.2mm
024-BK-D001	024-GN-D001	for cable Ø 2.3 – 2.6mm
028-BK-D001	028-GN-D001	for cable Ø 2.7 – 2.9mm
030-BK-D001	030-GN-D001	for cable Ø 3.0 – 3.3mm
035-BK-D001	035-GN-D001	for cable Ø 3.4 – 3.6mm

### Waiver!

While the information contained has been carefully complied to the best of our present knowledge, it is not intended as representation or warranty of any kind on our part regarding the fitness of the products concerned for any particular use or purpose and neither shall any statement contained herein be construed as a recommendation to infringe any industrial property rights or as a license to use an such rights. The fitness of each product for any particular purpose must be checked beforehand



HUBER+SUHNER AG  
Fiberoptic Division  
CH-9100 Herisau  
Phone +41 (0)71 353 41 11  
Fax +41 (0)71 353 46 47  
www.hubersuhner.com